

**SNAKE**



1880  
**matteograssi**

## SNAKE

Design: Simon Ma

Modular sofa with solid wood structure, polyuretane foam with different densities padding, leather upholstery.

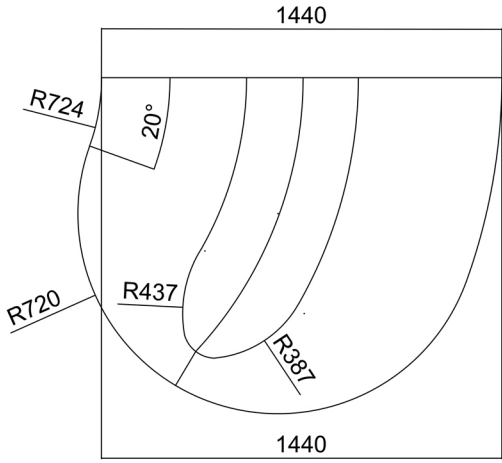


1880

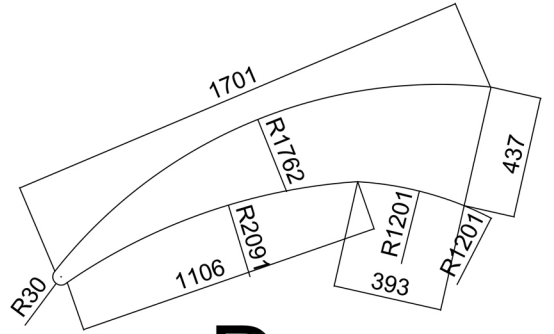
**matteograssi**<sup>®</sup>

Via Monte Grappa, 2- 4  
I - 20060 Truccazzano  
Tel. +39 029 5367267  
[www.matteograssi.com](http://www.matteograssi.com) - [info@matteograssi.com](mailto:info@matteograssi.com)

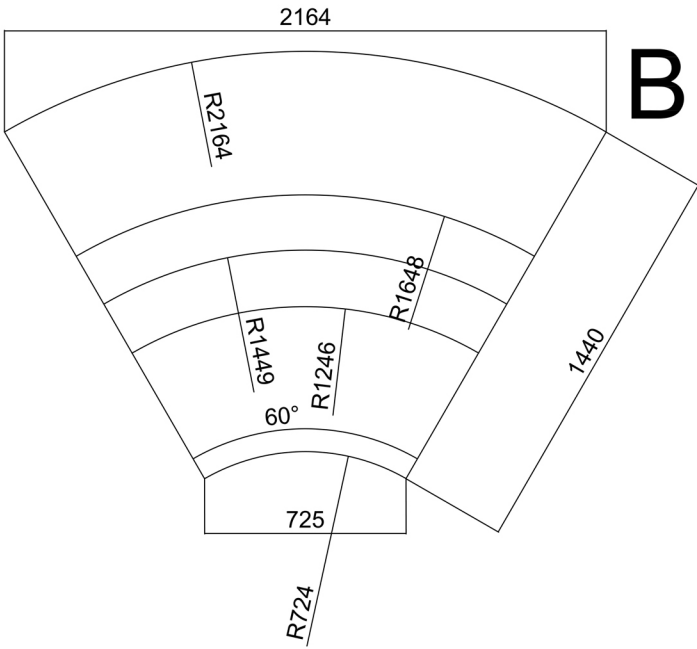
**SNAKE**  
Component size



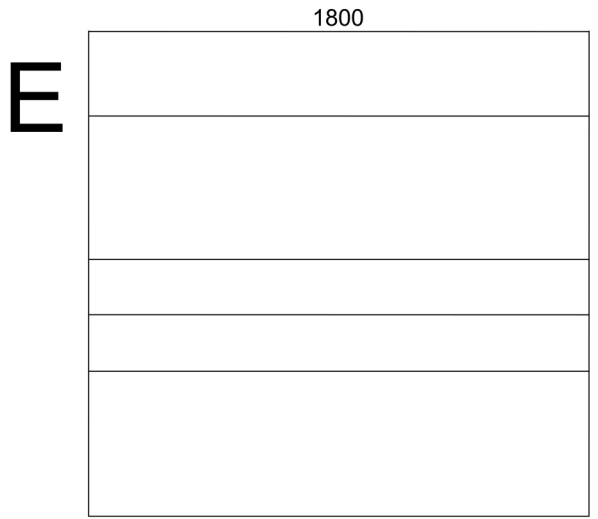
**A**



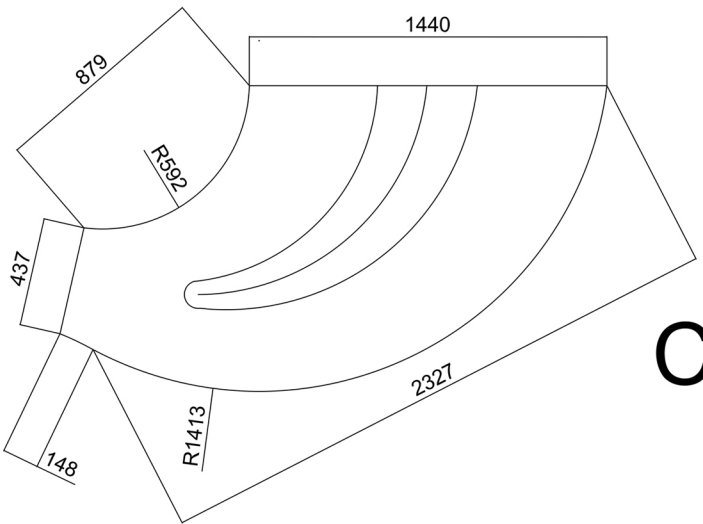
**D**



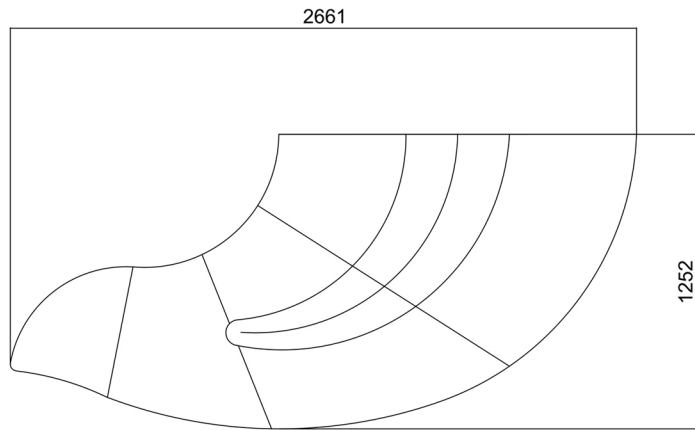
**B**



**E**



**C**



**F**